

Install

SC Bike Dumbbell Holder Install

Applies to: Schwinn SC Bikes

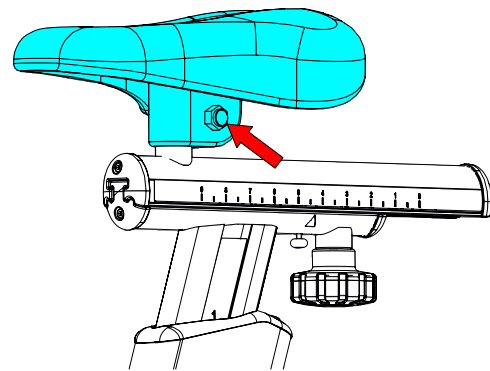
Required Parts:

- 700-0481-XX "KIT, DB HOLDER, SC BIKES"

Required Tools:

- 13mm Socket
- 3mm Allen Key

1. Using a 13mm socket, fully loosen the nuts on either side of the seat then remove the seat.



2. Remove the backing from the double stick tape on the underside of the dumbbell holder bracket then install it onto the top of the seat slider.
3. Use a 3mm allen key to secure the bracket using the bracket clamp and two (2) pieces of the M4 x 14mm socket head cap screw.
4. Reinstall the seat removed in Step 1.

